

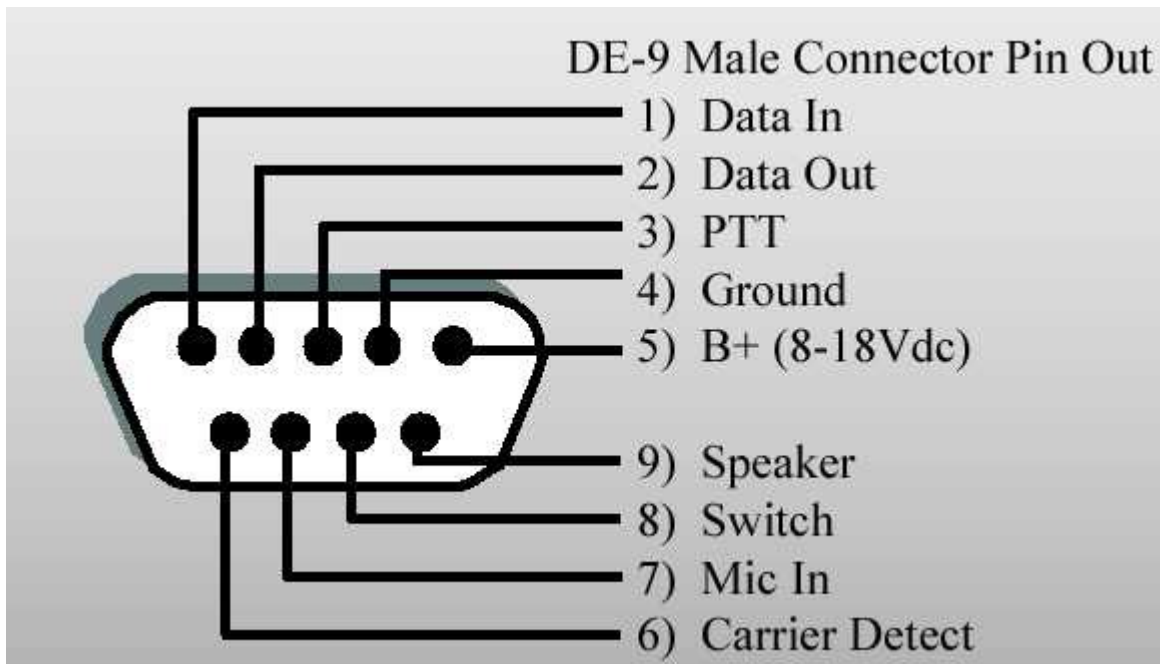
HeadLine HLD-100U2 UHF Data Radio



Product Information

Synthesized programmable 5 or 1 watt Data/Telemetry radios available in UHF 400-430 MHz (U1), 440-470 MHz (U2), . An effective solution for almost any Data/Telemetry or SCADA RF application.

- 16 Dip Switch Selectable Channels
- 1 Watt or 5 Watts of Transmit Power
- Narrow (12.5kHz) and Wide (25kHz) Band Operation
- CTCSS/DCS/IDCS Tone Options
- LED Status Indicator
- Busy Channel Lockout
- Power Save Feature
- Optional Bell 202 and V23 Modems



Specifications

HLD-100U2

- General

Frequency Range	440-470 MHz
Operating Voltage	12V (8V to 18V) DC
Operating Temperature	-30 to 60 C (-22 to 140 F)
Dimensions (HxWxD) inches	1.37 x 2.5 x 4.62
Bandwidth	12.5 / 25 kHz
PLL Stepping	2.5 / 5/ 6.25 kHz
Weight	11 ounces

- Receive

RX Sensitivity	< -117dBm
RX Spurious	-70dB
RX Intermod	-70dB
Adj Ch Select 12.5 / 25	< 60 / 70 dB
RX Response Time	< 16 msec
Audio Distortion	< 5%

- Transmit

TX Power	5/1 Watt
FM Hum & Noise 12.5 / 25	-34 / 40 dB
Spurious & Harmonic < 1GHz	-36dBm
Spurious & Harmonic > 1GHz	-30dBm